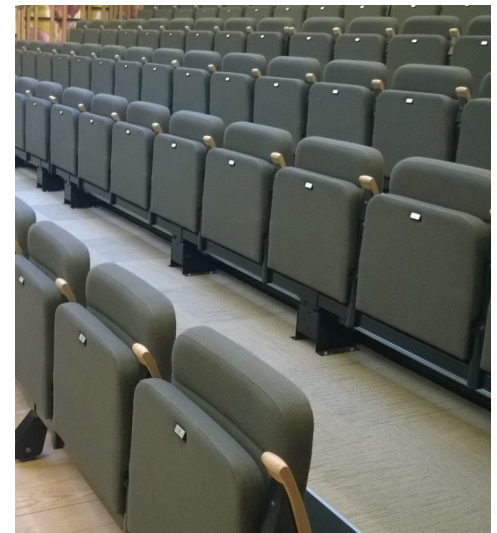


Uniclass L8411	EPIC Q411
Cl/SfB 5 + 7 (72.6)	X

Technical data sheet - Espace 628CC



Top Row: Fully upholstered 628CCs on TX platforms, fixed seats on a balcony with black armrests.
 Bottom row: Model with plastic backs and ABS arms on TX platforms; variation with special fabric, plastic back and cupholders at The O₂ Arena, fully upholstered models on TX platforms.
 Below: Rear of seat with plastic back (fixed back model).

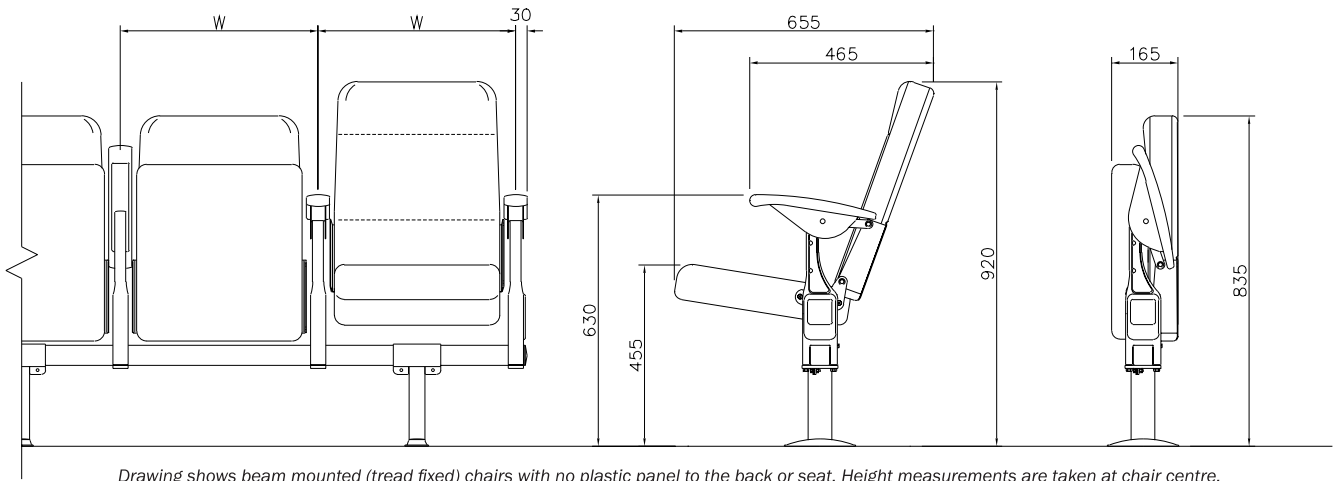
Description

Offering all the styling and comfort of an auditorium chair combined with complete flexibility, the Espace 628CC is suitable for both fixed seating and telescopic installations. The pocket sprung seatpan provides a luxurious feel to the chair and its unique tipping action creates seated areas with wide, safe seatways.

Features

- Self tipping design, with auto tip armrest and the backrest acting as a counterweight
- Compact dimensions when closed
- High backrest for concert-level comfort
- Optional protective plastic wraparound back
- Pocket sprung seat core for outstanding support
- Elegant curved timber armrests





Drawing shows beam mounted (tread fixed) chairs with no plastic panel to the back or seat. Height measurements are taken at chair centre. All dimensions are nominal.

Seat widths

480, 490, 500, 510, 520, 530, 540, 550mm (without plastic back)

480, 500, 520mm (with plastic back)

Fixing methods

Beam mounted (tread or riser fixed), fold-down (for TX Telescopic Platforms) or matrix (for flat floor configurations).

Specification

Seat

Plywood core with pocket coiled springs, with polyurethane CMHR foam wrap, fully upholstered in fabric to customer choice and availability.

Options:

- Wraparound plastic under-seat panels in injection moulded polypropylene, colour black RAL 9005.
- Veneered 'show-wood' timber under-seat panels - plain, slotted or perforated designs.

Backrest

Composite CMHR foam, 45 - 65mm thick on 12mm thick preformed plywood, upholstered in fabric to customer choice and availability.

Options:

- Wraparound plastic back panels in injection moulded polypropylene, colour black RAL 9005.
- Veneered 'show-wood' timber back panels

Chair frame

Die cast one piece aluminium arm stanchion incorporating seat pivot assembly clamped to 50 x 50 x 2.5mm steel tube cross beam. Finish: epoxy powder coat, black RAL 9005.

Armrest

Curved timber with clear lacquer (options - timber block, black ABS or upholstered).

Seat tip up mechanism

Counterweight tip up.

Tube end plugs

Injection moulded low density polyethylene, black RAL 9005.

Standards

Strength and stability

The chair has been tested and certified to BS EN 12727:2000 Grade 2

Flammability

Upholstery fabric and foam comply with BS 5852 1990 (sources BS EN 1021-1, 0; BS EN 1021-2, 1 and 5) or European or other standards as specified.

Options, variations and accessories

Accessories

- Seat dampner for soft action seat closing
- Timber outer back
- Protective plastic outer back
- Seat numbers
- Aisle letters
- Cupholder

Variations

- Upright backrest geometry can be specified for correct posture in upper tiers.
- A fixed back version suitable for arena environments is available, where the back does not move as the seat is tipped up (see below).

