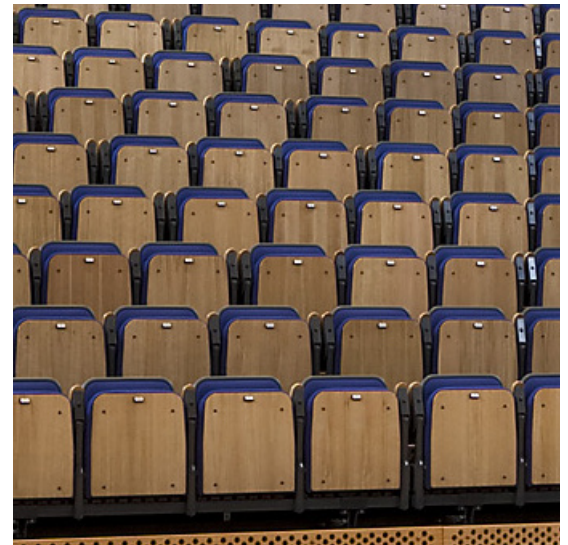


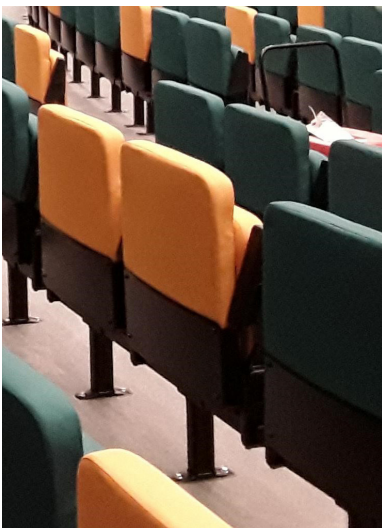
Technical data sheet - Espace 628



Fully upholstered model with timber armrests (special finish)



'Show wood' timber under-seat panels



Rear view of fully upholstered model (high back version shown - see separate datasheet)



Wraparound plastic under-seat panel (chairs are shown on Matrix removable floorbars).



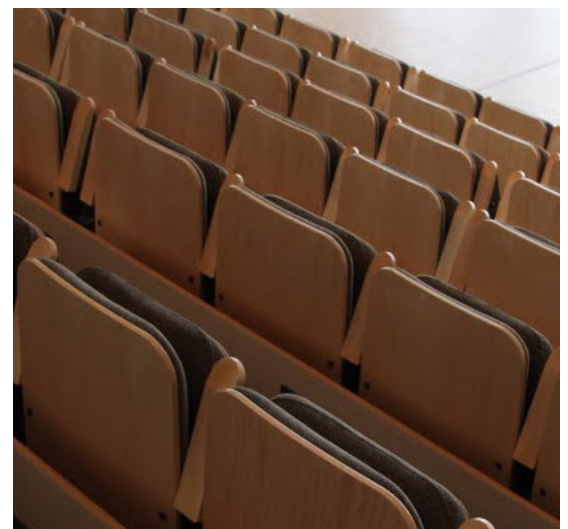
Wraparound plastic backs

Description

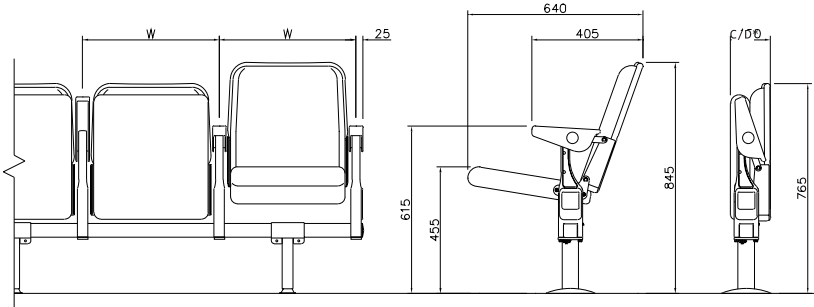
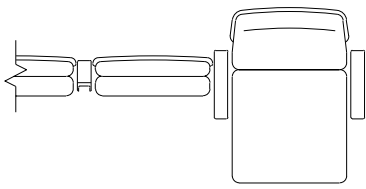
The Espace 628 is a classic, versatile chair suitable for use on fixed tiering, retractable platforms, or on the removable "Matrix" system. Its unique tipping action creates wide, safe seatways when chairs are unoccupied. Protective panels (in timber or plastic) are available for the rear or under the seat, providing excellent wear resistance.

Features

- Self tipping design with auto-tip armrest
- Compact dimensions when closed
- Suitable for use on min 260mm row rise / 800mm row depth telescopic platforms
- Strength: certified to BS EN 12727:2000 Level 4
- Optional sprung seat core for outstanding support
- Wide range of options and enhancements



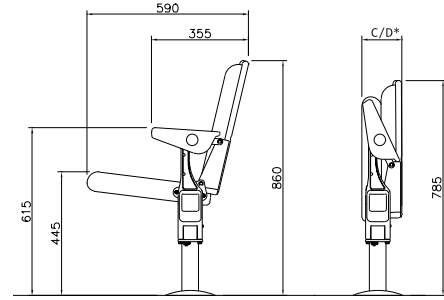
'Show wood' timber back and timber armrests



Standard geometry version, tread fixed

Models shown have plastic back.

*C/D (Closed Depth) = 145mm without plastic outer back panel; 150mm with plastic outer back panel.



Upright geometry version, tread fixed

Seat widths

480, 490, 500, 510, 520, 530, 540, 550mm (upholstered back)

480, 500, 520mm (plastic back)

Fixing methods

Beam mounted (tread or riser fixed), fold-down (for TX Telescopic Platforms) or matrix (for flat floor configurations).

Specification

Seat

50mm polyurethane CMHR foam on 12mm plywood core, fully upholstered.

Options:

- Pocket sprung seat core in place of plywood core.
- Wraparound plastic under-seat panels in injection moulded polypropylene, colour black RAL 9005.
- Veneered 'show-wood' timber under-seat panels - plain, slotted or perforated designs.

Backrest

45mm polyurethane fabricated CMHR foam on 12mm thick preformed plywood, upholstered.

Options:

- Wraparound plastic back panels in injection moulded polypropylene, colour black RAL 9005.
- Veneered 'show-wood' timber back panels

Chair frame

Die cast one piece aluminium arm stanchion incorporating seat pivot assembly clamped to 50 x 50 x 2.5mm steel tube cross beam. Finished in epoxy polyester powder coat, matt black RAL 9005.

Armrest

One piece black ABS injection moulding.

Options:

- Timber
- Curved timber
- Upholstered

Seat tip up mechanism

Counterweight tip up.

Tube end plugs

Injection moulded low density polyethylene.

Standards

Strength and stability

The chair has been tested and certified to BS EN 12727:2000 level 4.

Flammability

Upholstery fabric and foam comply with BS 5852 1990 (sources BS EN 1021-1, 0; BS EN 1021-2, 1 and 5) or European or other standards as specified.

Telescopic System Parameters

When mounted on a telescopic (retractable) system:

Minimum row depth = 800mm (850mm recommended for comfort)

Minimum row rise = 260mm (Add 20mm for 628T or timber back)

Variations

The following variations are available:

- Upright backrest geometry for correct posture in upper tiers
- High back model - see separate data sheet
- "CC" (Concert Comfort) model with thick, sprung seat for long term seated comfort - see separate datasheet
- Fixed back model suitable for arena environments, where the back does not move as the seat is tipped up.
- Espace 628T with fold away writing tablet - see separate datasheet.

Other Accessories

- Seat dampner for soft action seat closing
- Seat numbers
- Aisle letters
- Cupholder

Upholstered armrests



High back "CC" model, including curved timber armrest, and 628T model (see separate datasheets)

Audience Systems Ltd reserves the right to change the design, specification or price of products without prior notice.